

Double Flanged Butterfly Valves

Model 715-IBV*WWG DUCTILE IRON DOUBLE FLANGED BUTTERFLY VALVE

FEATURES

- ISO Square Drive for sizes 50-300mm and positive keyed drive for sizes 350mm and above.
- Four self-lubricating bronze bushes provide maximum stem support with minimum friction. Eliminates potential stem seizure.
- Pressure surge seals (O rings) are moulded inside the seat stem hole area to provide failsafe sealing around stem, eliminating possible leakage.
- Full length wrap around vulcanised seat is non-collapsible, stretch resistant, blowout proof and suitable for vacuum.
- Precision profile disc provides bubble-tight shutoff with minimal disc/seat interference, assuring minimum torque and longer seat life.
- Actuator mounting flange, conforms to ISO5211 and accommodates all types of operators, lever, gear, electric, hydraulic and pneumatic.
- O ring weather seal prevents ingress of moisture and external material into the stem area.
- One piece thru-stem design ensures dependability and positive disc control.
- Internal square drive and precision taper pins ensure positive, vibration proof, stem to disc connection. Square drive \leq 300mm size Pins \geq 350mm size.
- Polished disc flats "mate" with seat flats to give a highly efficient seal; prevents leakage into stem area.
- Supported stem seal protects against distortion, a common cause of stem leakage.



TECHNICAL DATA

Size Range	80mm – 1200mm
Design	In accordance to AS4795 / ISO5752
Pressure Rating	PN16
Pressure testing	ISO5208
Flange Drilling	AS4087 PN16 (Table D)
Coating	Fusion Bonded Epoxy
Temperature range	-10°C to +90°C (EPDM seat)

note: The designs, materials, dimensions and specifications shown are subject to change without notice due to our continuing program of product development.

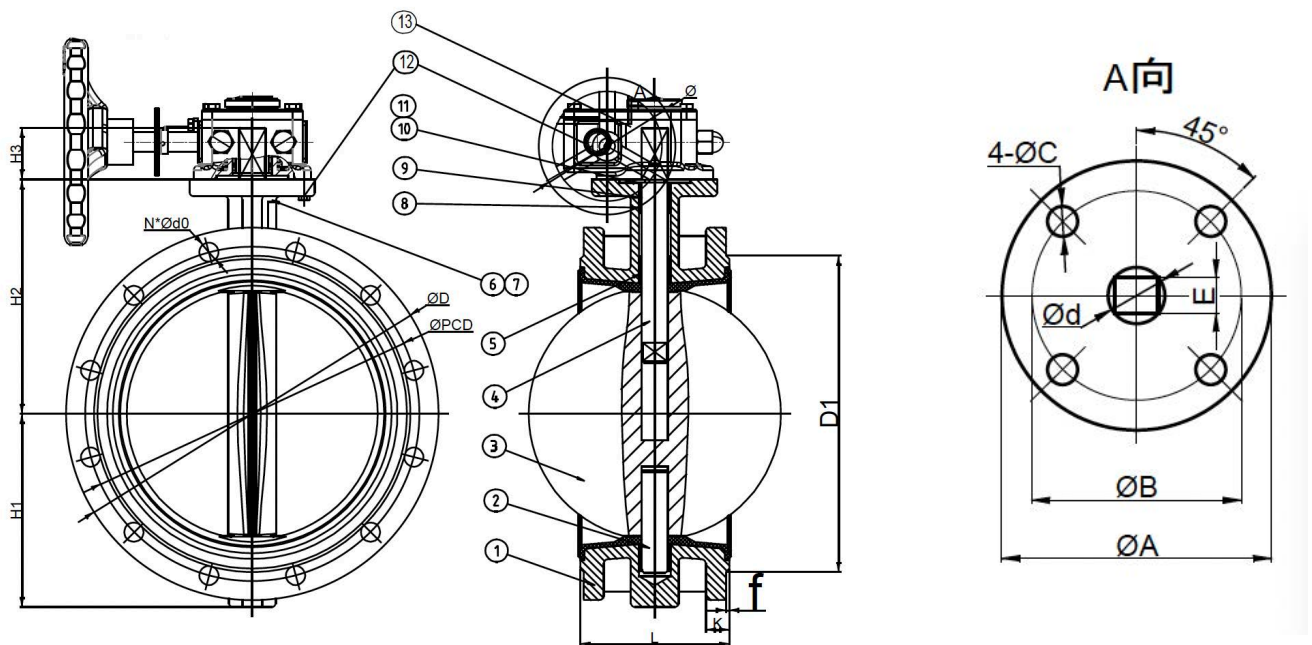
Double Flanged Butterfly Valves

80mm - 350mm Double Flanged Butterfly valve

- Rated 16 Bar
- Gear operated
- Fusion bonded (FBE) blue body coating

Part Name	Material
Body	Ductile Iron
Disc	SS316
Stem	SS431
Stem Bushing	PTFE
Seat	EPDM WRAS Approved
O - Ring	EPDM

AVAILABLE SEAT OPTIONS NBR VITON



DN50 – DN350							AS4087 PN16			ISO 5211 TOP FLANGE					
DN	L	L1	f	H	H1	H2	ØD1	N2-Ød2	ØD2	Flange Mount	ØA	ØB	N1-d2	E	Weight (kg)
80	114	117	19	29	131	95	146	4-18	132	F07	90	70	4-10	11	15
100	127	130	19	29	150	114	178	4-18	156	F07	90	70	4-10	11	19
125	140	143	19	29	170	113	210	8-18	184	F07	90	70	4-10	14	22
150	140	143	19	29	180	139	235	8-18	211	F07	90	70	4-10	14	27
200	152	155	21	35	210	175	292	8-18	266	F10	125	102	4-12	17	45
250	165	168	22	35	245	203	356	8-22	319	F10	125	102	4-12	22	58
300	178	181	24.5	35	276	242	406	12-22	370	F10	125	102	4-12	22	85
350	190	194	27	45	328	250	470	12-26	429	F10	125	102	4-12	22	122

note: The designs, materials, dimensions and specifications shown are subject to change without notice due to our continuing program of product development. Please request a certified drawing if dimensions are critical

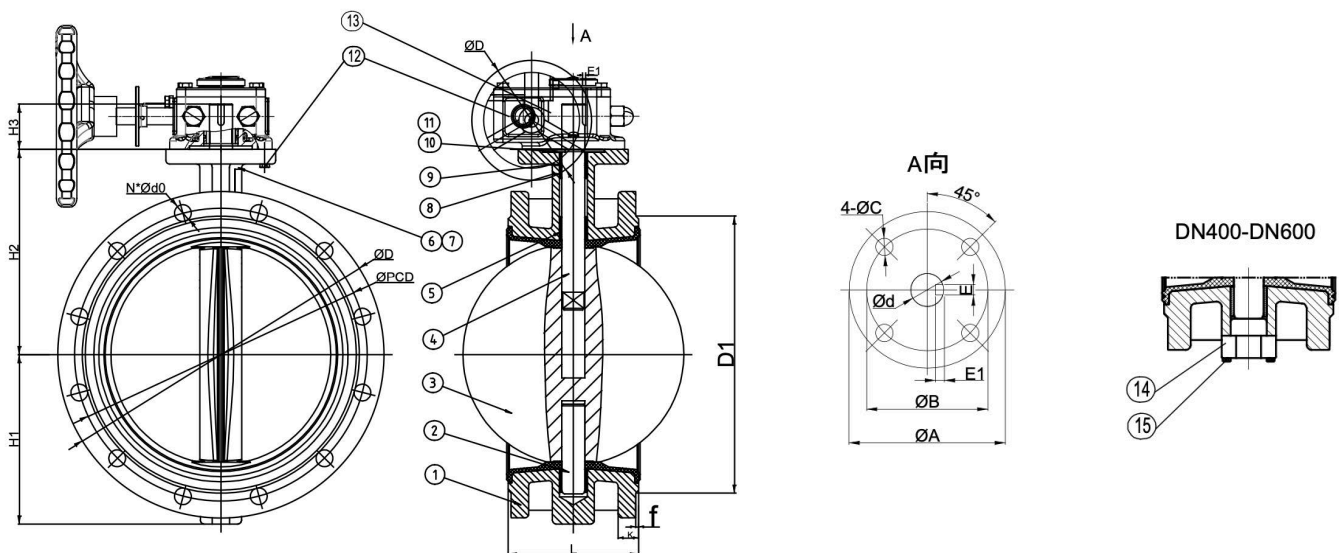
Double Flanged Butterfly Valves

375mm - 1200mm Double Flanged Butterfly Valve

- Rated 16 Bar
- Gear operated
- Fusion bonded (FBE) blue body coating

Part name	Material
Body	Ductile Iron
Disc	SS316
Stem	SS431
Stem Bushing	PTFE
Seat	EPDM WRAS APPROVED
O - Ring	EPDM

AVAILABLE SEAT OPTIONS NBR VITON



DN375 – DN1200							AS4087 PN16			ISO 5211 TOP FLANGE						
DN	L	L1	f	H	H1	H2	ØD1	N2-Ød2	ØD2	Flange	ØA	ØB	N1-Ød1	E	n-b (key)	Weight (kg)
375	216	221	28	51	376	277	495	12-26	480	F14	175	140	4-18	33.15	1-10	195
400	216	221	28	51	376	277	521	12-26	480	F14	175	140	4-18	33.15	1-10	195
450	222	227	30	51	406	295	584	12-26	530	F14	175	140	4-18	38	1-10	245
500	229	234	32	64	448	330	641	16-26	582	F14	175	140	4-18	41.15	1-10	290
550	267	272	36	70	500	385	699	16-30	682	F14	210	165	4-22	50.65	1-16	425
600	267	272	36	70	518	420	756	16-30	682	F16	210	165	4-22	50.65	1-16	425
700	292	297	40	66	560	450	845	20-30	770	F25	300	254	8-18	55	1-16	650
750	305	313	43	66	610	490	927	20-33	855	F25	300	254	8-18	55	1-16	660
800	318	323	43	66	666	576	984	20-36	871	F25	300	254	8-18	55	2-16	665
900	330	336	47	118	720	656	1092	24-36	972	F25	300	254	8-18	75	2-22	800
1000	410	416	50	142	800	700	1175	24-36	1080	F25	300	254	8-18	85	2-22	1200
1200	470	480	57	150	940	864	1410	32-36	1270	F30	350	298	8-22	105	2-28	1400

note: The designs, materials, dimensions and specifications shown are subject to change without notice due to our continuing program of product development. Please request a certified drawing if dimensions are critical

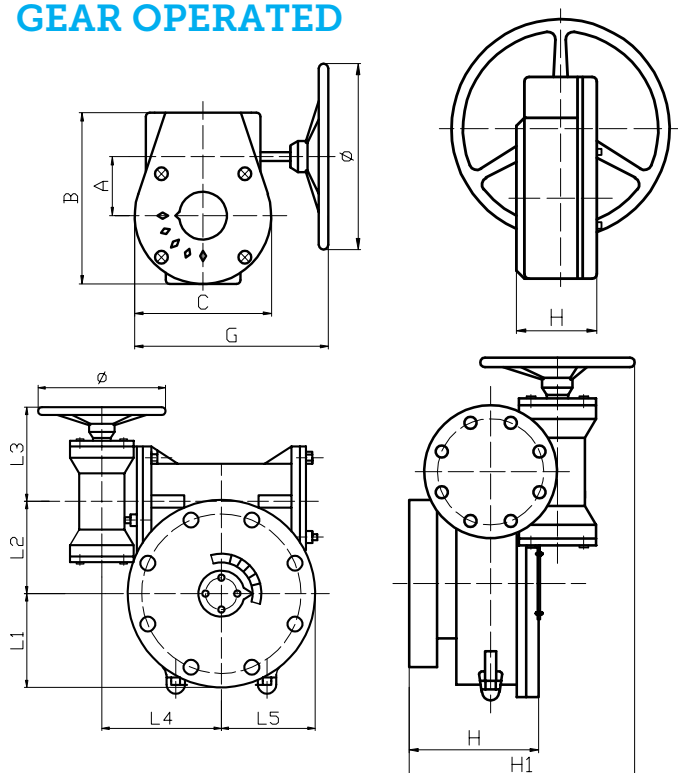
Butterfly Valves Operators & Torques

TECHNICAL DATA

Shut off pressures in kPa			
Size (DN)	Torque (Nm)		
mm	1,000	1,600 Kpa	CV
50	11	22	135
65	14	22	220
80	18	25	301
100	39	50	599
125	63	78	1020
150	80	95	1576
200	96	110	3129
250	225	285	5328
300	254	355	8232
350	572	676	11891
375	648	843	16352
400	648	843	16352
450	989	1286	21657
500	1237	1608	27846
550	1947	2532	35712
600	2472	3214	43020

Torque figures based on water service without safety margin.

GEAR OPERATED



ACTUATOR OPTIONS

Gear Operated

Cast Iron Epoxy Coated Gearbox with SS fasteners.

Pneumatic

Air operated (double acting & spring return), c/w solenoid valves, limit switches, position indicators, modulating controls

Electric

Open/close, modulating control.

Other Options

Extension spindles

Chain wheel operation

Torque limiting devices

Other body, disc and seat material available on request

Size (DN)	A	B	C	G	Ø	H
50 - 150	45	127	106	205	146	65
200 - 250	63	170	145	295	287	69
300 - 350	80	190	156	291	287	71
400 - 450	118	278	249	291	385	97

Size (DN)	L1	L2	L3	L4	L5	Ø	H	H1
500	107	100	156	168	107	285	125	271
550 - 600	131	125	160	193	131	385	136	330
700 - 800	173	162	197	245	173	425	158	373
900 - 1000	201	196	203	279	201	425	185	409
1200	185	240	203	311	255	425	216	423

note: The designs, materials, dimensions and specifications shown are subject to change without notice due to our continuing program of product development. Please request a certified drawing if dimensions are critical

FLO-DS-0001. NOV 2024