

**Features**

- Interactive
- Heat detector intended for use in humid areas
- Short-circuit isolator in each detector
- Conforms to EMC directive
- Additional coating of PCB circuit for environmental protection
- Comprises a built-in alarm indicator (LED)
- Automatic addressing
- Proven technology
- Configurable to class A1, A1R, A2S, B, C
- Immune to electromagnetic disturbance
- Unrivalled reliability due to the SelfVerify® function
- The BD-501 is not influenced by dust, humidity, exhaust-gases, or electromagnetic fields (for example, radio transmitters, cellular phones, etc.)
- Designed to meet LPCB requirements
- EN54 pt. 5
- Designed to meet the requirements of the major maritime classification societies

**Applications**

**BD-501** is a point heat detector for detection of rise in environment temperature caused by a fire. The detector is designed for use with Autronica's interactive fire-alarm system, AutoSafe. The SelfVerify® function ensures the highest grade of reliability. All units comprising this function are automatically tested with a calibrated test once every 24 hours.

Additional coating of PCB and sealing of the sensing element make this detector suitable for rough areas like heavy industry, maritime and offshore applications.

**BD-501** is often used in areas where the environment is likely to produce unwanted alarms, such as:

- Kitchens
- Galleys
- Bathrooms
- Boiler rooms
- Workshops, etc.
- Refrigeration rooms, etc.

**Principle**

Temperature measurement by means of a thermistor for registration and reading of temperature at the detector point. Alarms at temperature according to configured class (Ref. table 1).

"SelfVerify®", the detector's ability to initiate alarm at correct temperature, is regularly checked.



**Versions**

- **BD-501** Standard heat detector with SelfVerify®
- **BD-501/N** Heat detector with SelfVerify®, Eexn version for use in zone 2 only
- **BD-501/EX\*** Heat detector with SelfVerify®, EExia-version for use in all zones

\* See separate datasheet

**Technical Specifications**

Weight	300 g
Material	Polycarbonate Macrolon
Colour	Light grey
Sensitivity	Acc. to EN-54/5
Voltage	10 - 27VDC
Current consumption	
Stand-by:	< 0,3mA
External alarm indicator:	6mA
Environmental requirements	EN-54/5
Degree of protection	IP 56
Working temperature	-20 - +80°C
Max. application	Ref. table 1
Humidity (non-condensing)	Max. 95% RH
Maintenance	None
Service	Replace if faulty
Approvals	See separate documentation
Certificate for BD-501/N	NEMKO 03ATEX217X



## Dimensions

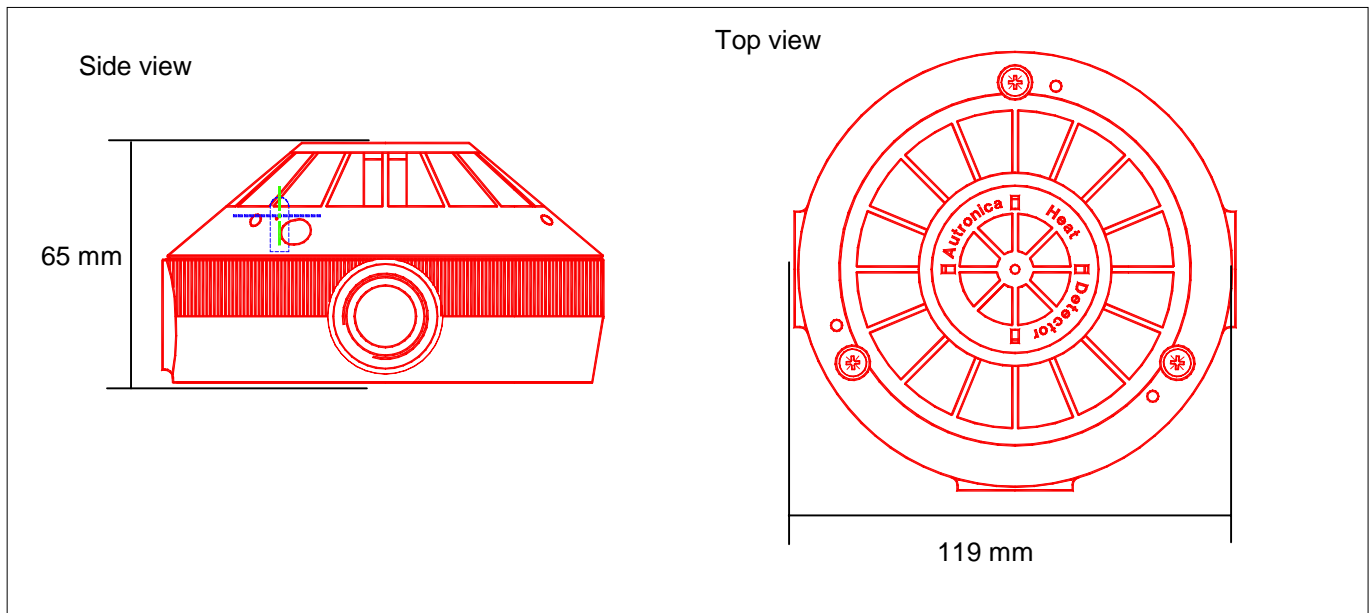


Table 1

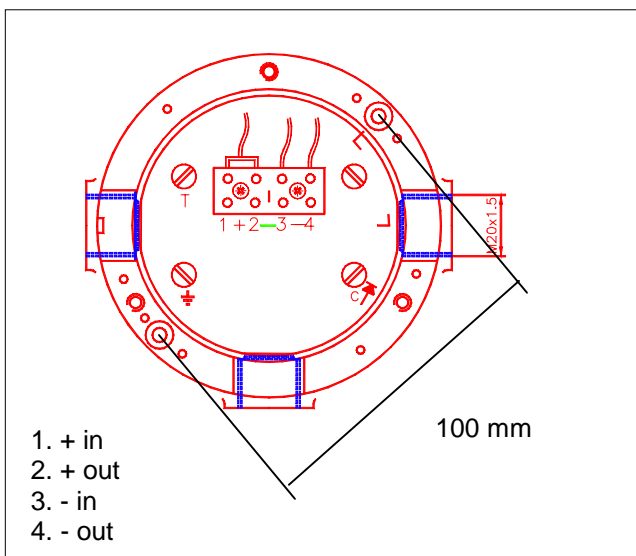
Detector class	Typical application temperature °C	Maximum application temperature °C	Minimum static response temperature °C	Maximum static response temperature °C
A1	25	50	54	65
A1R*	5	50	54	65
A2S*	25	50	54	70
B	40	65	69	85
C	55	80	84	100

\* R= Rate of rise.

\* S= (Slow) Does not respond below the minimum static response temperature.

Note: The detector may give prewarning on a temperature below the max. application temperature.

## Connections



Order number	Description
BD-501	Detector, complete

Autronica Fire and Security AS

Fire and Security, Trondheim, Norway. Phone: + 47 73 58 25 00, fax: + 47 73 58 25 01  
 Oil & Gas, Stavanger, Norway. Phone: + 47 51 84 09 00, fax: + 47 51 84 09 99

Visit Autronica Fire and Security's website: [www.autronicafire.com](http://www.autronicafire.com)