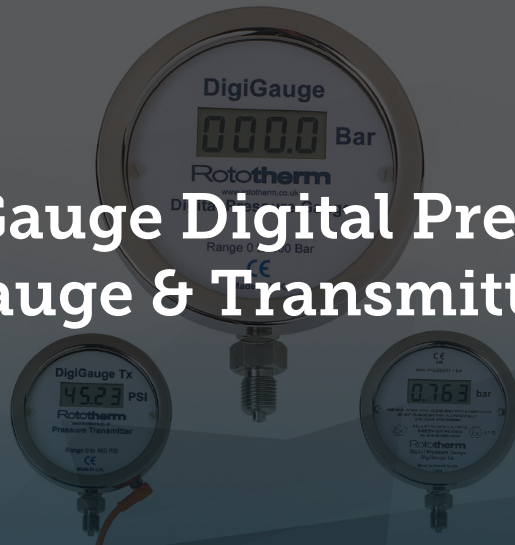




DigiGauge Digital Pressure Gauge & Transmitter



DigiGauge Digital Pressure Gauge & Transmitter



FEATURES

- High Accuracy $\pm 0.2\%$ full scale
- Stainless steel IP67 case
- Long battery life - 1 year continuous operation from 2 AA cells
- Wide selection of pressure ranges from vacuum to 400 bar
- 4 to 20mA output option available
- Intrinsically safe versions available
- Supplied with calibration certificate traceable to National Standards
- Available with MAX and MIN pressure readings

DESCRIPTION

High accuracy and a 4 digit display enables the DigiGauge to be used as a digital standard test gauge, replacing less accurate, sometimes fragile analogue test gauges. Factory calibration certificates traceable to National Standards are provided and UKAS calibration certificates can be supplied if required.

Covering a wide range of test and measurement applications with pressure ranges available from vacuum to 400 bar, DigiGauge can be supplied with hygienic fittings for food applications or with diaphragm seals for use on corrosive, viscous or crystallising fluids.

All standard DigiGauge's are calibrated in a controlled environment at $20^{\circ}\text{C} \pm 3^{\circ}\text{C}$. Temperature compensated sensors are fitted as standard to automatically correct zero and span drift. All versions of DigiGauge can also be specified with a MAXIMUM and MINIMUM pressure logging option.

TECHNICAL SPECIFICATION

Case: 100mm / 4" diameter 304 stainless steel case and bezel

Process Connection: 1/4" or 1/2" BSP or NPT - other sizes are available on request

Protection: IP67 / NEMA 4X

Display: 4 digit LCD with 12.7mm / 1/2" high characters

Display Update Rate: 0.5 seconds or 2 seconds user selectable

Sensor: Alumina ceramic (Al_2O_3) diaphragm strain gauge

Over pressure: Maximum pressure applied to be < 1.25 x full scale

Compensated Range: -10 to 60°C (14 to 140°F)

Wetted Parts: 316 stainless steel, Fluorocarbon and ceramic

Temperature Limits Storage: -20 to 85°C (-4 to 185°F)

Ambient operating: -20 to 70°C (-4 to 158°F) Internal

Case: -10 to 60°C (14 to 140°F) Pressure Medium: -20 to 100°C (-4 to 212°F)

Power Source: (3V DC battery), 2 x 1.5V "AA" alkaline cells

Battery Life: 12 months continuous operation at 2 second update. Low Power Warning* Display will alternate between reading & "BATT"

Accuracy: See range table below

Weight: 900g

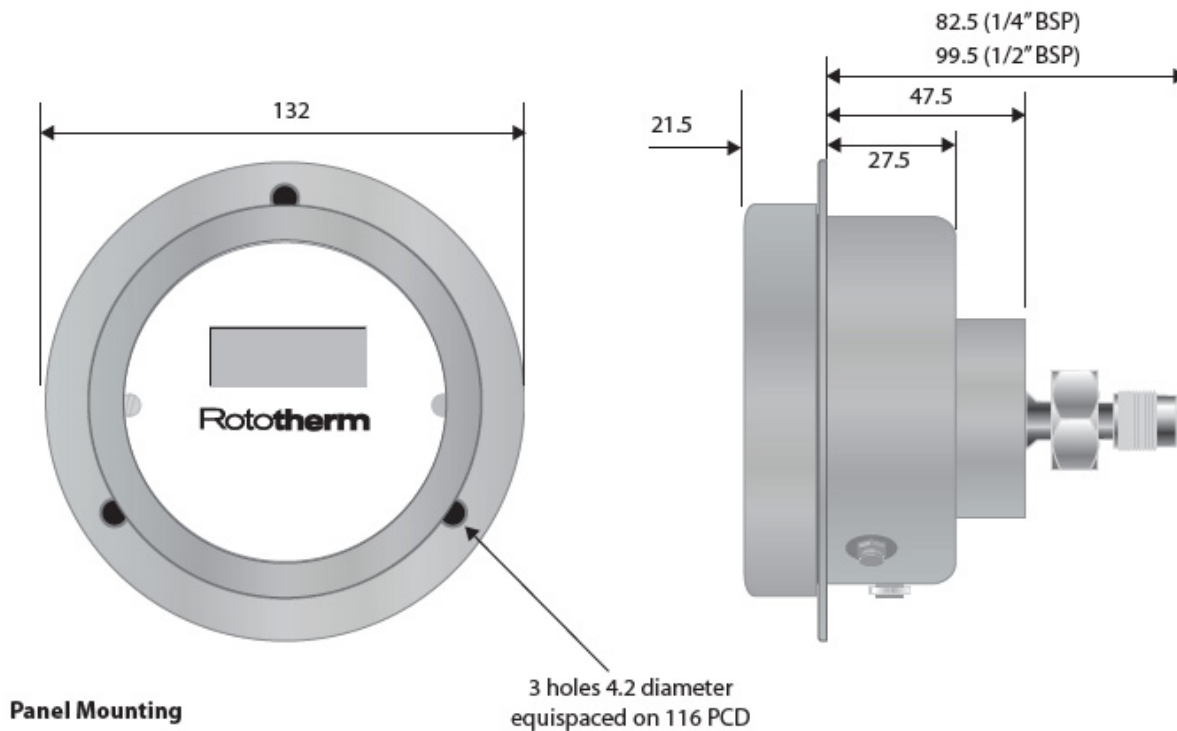
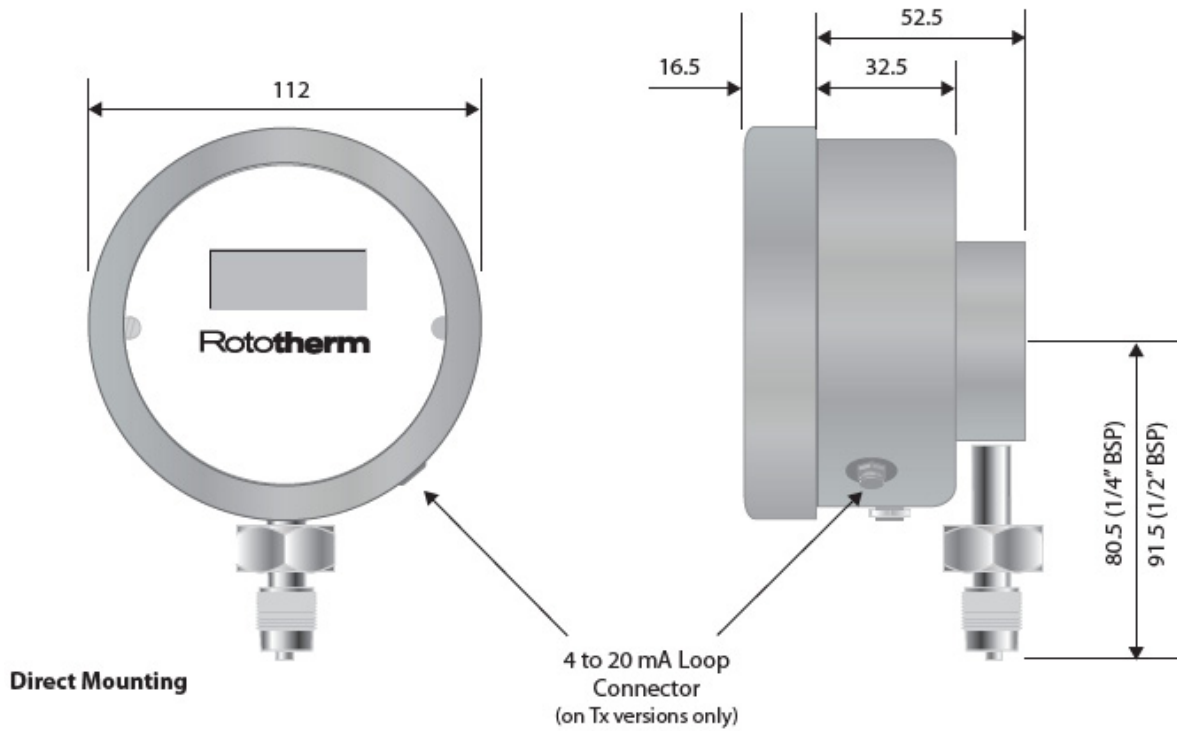
*Not applicable to DigiGauge TX



Top: Standard DigiGauge
Left: DigiGauge Tx
Right: DigiGauge ATEX

DigiGauge Digital Pressure Gauge & Transmitter

DIMENSIONS - DIGIGAUGE DIGITAL PRESSURE GAUGE



All dimensions are in mm. Drawings are for illustration purposes only.

DigiGauge Digital Pressure Gauge & Transmitter



STANDARD PRESSURE RANGES

Bar Range	Resolution	PSI Range	Resolution	Accuracy*
-1 to +1 bar	1 mbar	-15 to +15 psi	0.01 psi	±0.25%fs
0 to 1 bar	1 mbar	0 to 15 psi	0.01 psi	±0.25%fs
0 to 2 bar	1 mbar	0 to 30 psi	0.01 psi	±0.2%fs
0 to 2.5 bar	1 mbar	0 to 60 psi	0.01 psi	±0.2%fs
0 to 6 bar	1 mbar	0 to 90 psi	0.01 psi	±0.2%fs
0 to 10 bar	10 mbar	0 to 150 psi	0.1 psi	±0.2%fs
0 to 16 bar	10 mbar	0 to 275 psi	0.1 psi	±0.2%fs
0 to 20 bar	10 mbar	0 to 300 psi	0.1 psi	±0.2%fs
0 to 25 bar	10 mbar	0 to 375 psi	0.1 psi	±0.2%fs
0 to 40 bar	10 mbar	0 to 600 psi	1 psi	±0.2%fs
0 to 50 bar	10 mbar	0 to 750 psi	1 psi	±0.2%fs
0 to 60 bar	10 mbar	0 to 900 psi	1 psi	±0.2%fs
0 to 100 bar	100 mbar	0 to 1500 psi	1 psi	±0.2%fs
0 to 200 bar	100 mbar	0 to 3000 psi	1 psi	±0.2%fs
0 to 250 bar	100 mbar	0 to 3750 psi	1 psi	±0.25%fs
0 to 400 bar	100 mbar	0 to 6000 psi	1 psi	±0.25%fs

*Note: Accuracy includes non linearity + hysteresis + repeatability Temperature coefficient of zero and span < 0.02% FS/°C

ORDER CODE - DIGIGAUGE

Standard Version

Intrinsically Safe

Transmitter (4-20 mA)

Mounting

Direct Vertical (bottom entry)

Direct Back

Panel

Surface

Connection

1/4" BSP male

1/4" NPT male

Other (please state requirement)

Pressure Range

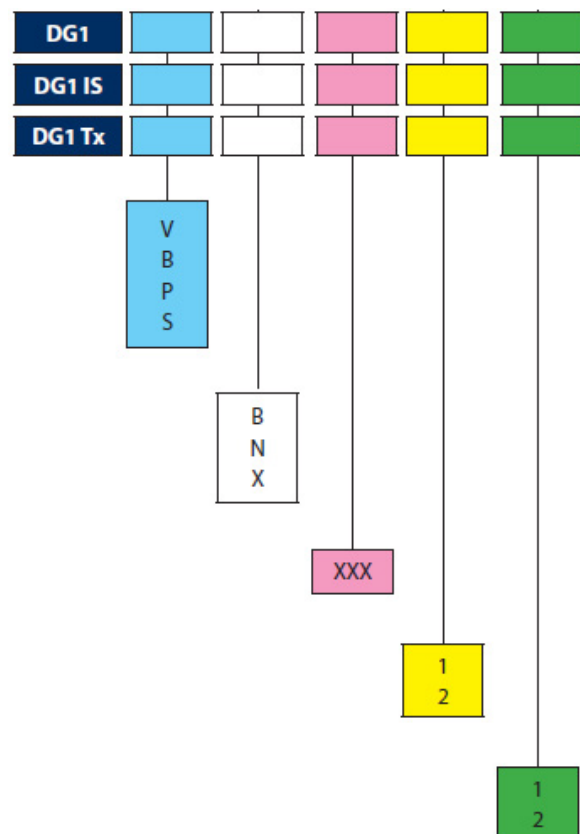
Enter Pressure Range from table

MAX and MIN Pressure Readings

Required Not Required

Certification

Factory Calibration Certificate (Supplied as standard)



INS-DS-0216 DEC. 2018