

200 DGR Rolling Diaphragm Differential Pressure Gauge



SPECIFICATIONS

Accuracy: $\pm 2\%$ of the FSD (Ascending)

Migration: Minor from high to low port

Range: 0-0.25 to 0-7 bar or equivalent ranges in other units

First marking on the scale: 15% of the FSD

Wetted parts: Diaphragm, body material, SS 302 spring & ceramic magnet

Case material: Stainless steel (SS 304)

Dial size in inch / mm: 2", 2.5", 3.5", 4", 4.5", 6" / 50, 63, 80, 100, 115, 150 mm

Mounting: Direct, front flange, 2" pipe & surface mounting

Maximum working pressure: 200 bar / 3000 psi

Maximum process temperature: 80°C / 175° F

Body material: Aluminum, Brass & SS 316

Seals: Buna-N, Viton & EPDM 'O' rings

Window: Float glass(Std.), toughened glass, acrylic & safety glass.

Connection: 1/4" NPT(F) Std. Optional 1/4" BSP(F) with adaptor

Porting: In-line, rear, bottom, in-line & bottom

Over range protection: Up to the max. working pressure from high & low side

Protection for gauge & switch: IP 65 / NEMA-4

Options

- Liquid filling
- Red follower pointer (except 2" & 6")
- Dual scale y Colour band
- Filter mesh in (+) connection
- Descending calibration

Switching Options (Adjustable in 20-100% of FSD)

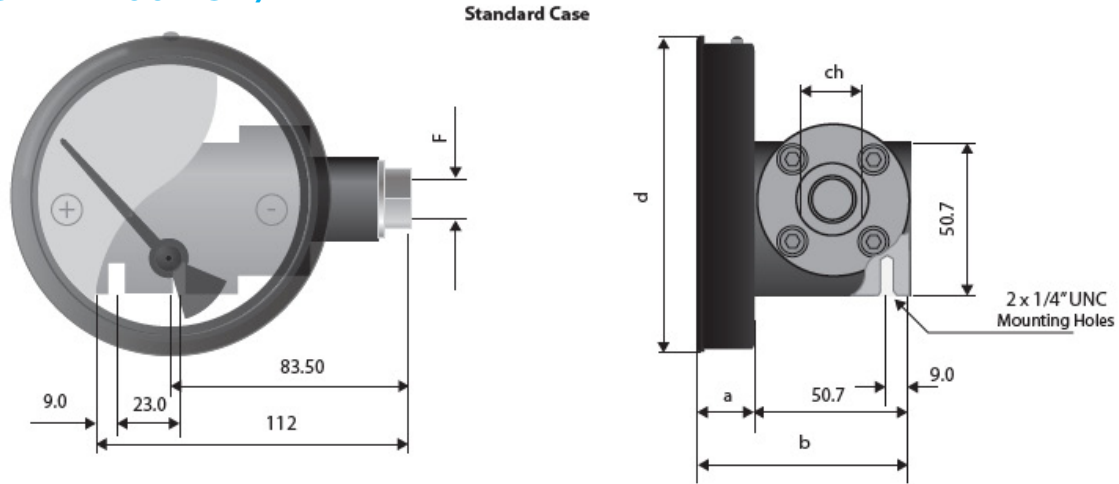
- 1 or 2 SPSTs with a DIN plug
- 1 or 2 SPSTs with a terminal strip
- 1 or 2 SPSTs with a built in relay
- 1 or 2 SPDTs with a DIN plug
- 1 or 2 SPDTs with a terminal strip

STANDARD PRESSURE RANGES

Kg/cm ²	bar	mbar	psi	kPa
0 to 0.25 kg/cm ²	0 to 0.25 bar	0 to 250 mbar	-	0 to 25 kPa
-	-	-	0 to 5 psi	-
0 to 0.5 kg/cm ²	0 to 0.5 bar	-	0 to 7 psi	0 to 50 kPa
0 to 0.75 kg/cm ²	0 to 0.75 bar	0 to 750 mbar	-	0 to 75 kPa
0 to 1 kg/cm ²	0 to 1 bar	-	0 to 15 psi	0 to 100 kPa
-	-	-	0 to 25 psi	-
0 to 2 kg/cm ²	0 to 2 bar	-	0 to 30 psi	-
0 to 2.5 kg/cm ²	0 to 2.5 bar	-	-	0 to 200 kPa
-	-	-	0 to 40 psi	0 to 250 kPa
0 to 4 kg/cm ²	0 to 4 bar	-	0 to 60 psi	0 to 300 kPa
0 to 7 kg/cm ²	0 to 7 bar	-	0 to 100 psi	0 to 700 kPa

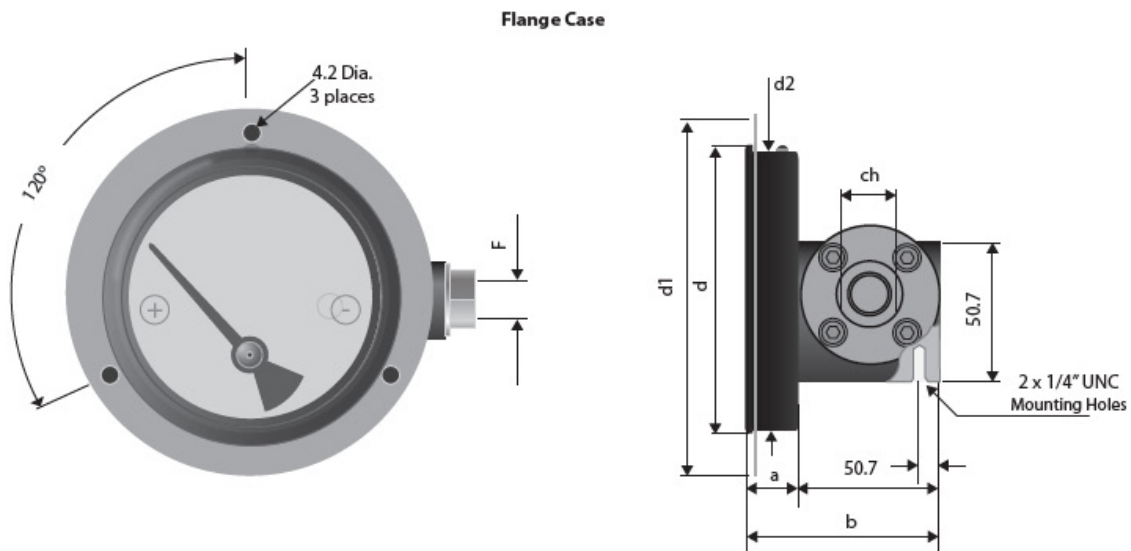
200 DGR Rolling Diaphragm Differential Pressure Gauge

STANDARD DIMENSIONS (MODEL 200DGR)



Dial	F	a	b	d	ch
63mm (2.5")	1/4" BSP - 1/4" NPT	19	69.7	66	20
80mm (3.5")	1/4" BSP - 1/4" NPT	19	69.7	83	20
100mm (4")	1/4" BSP - 1/4" NPT	19	69.7	104.3	20
115mm (4.5")	1/4" BSP - 1/4" NPT	19	69.7	119.7	20
150mm (6")	1/4" BSP - 1/4" NPT	19	69.7	154.3	20

All dimensions are in mm - drawings are not to scale and are for illustration purposes only



Dial	F	a	b	d1	d2	ch	p.c.d	d*
63mm (2.5")	1/4" BSP - 1/4" NPT	19	69.7	93	65	20	83	66
80mm (3.5")	1/4" BSP - 1/4" NPT	19	69.7	109	82	20	99	83
100mm (4")	1/4" BSP - 1/4" NPT	19	69.7	131	102	20	121	104.3
115mm (4.5")	1/4" BSP - 1/4" NPT	19	69.7	146	117	20	136	119.7
150mm (6")	1/4" BSP - 1/4" NPT	19	69.7	181	152.5	20	171	154.3

*Panel Cut Out = d+1mm
All dimensions are in mm - drawings are not to scale and are for illustration purposes only

200 DGR Rolling Diaphragm Differential Pressure Gauge



ORDER CODE - 200DGR

DIFFERENTIAL PRESSURE GAUGE

Model 200DGR

Type
Gauge
Switch
Gauge + Switch

Body Material
Aluminium
Brass
316 Stainless Steel

Dial Size
63mm (2.5")
80mm (3.5")
100mm (4.0")
115mm (4.5")
150mm (6.0")

Connection
1/4" NPT female (Standard)
1/4" BSP female
Other via adaptors

Porting
In-line (Standard)
Rear / back
Bottom

Case Type
304 Stainless Steel
304 Stainless Steel (with flange)

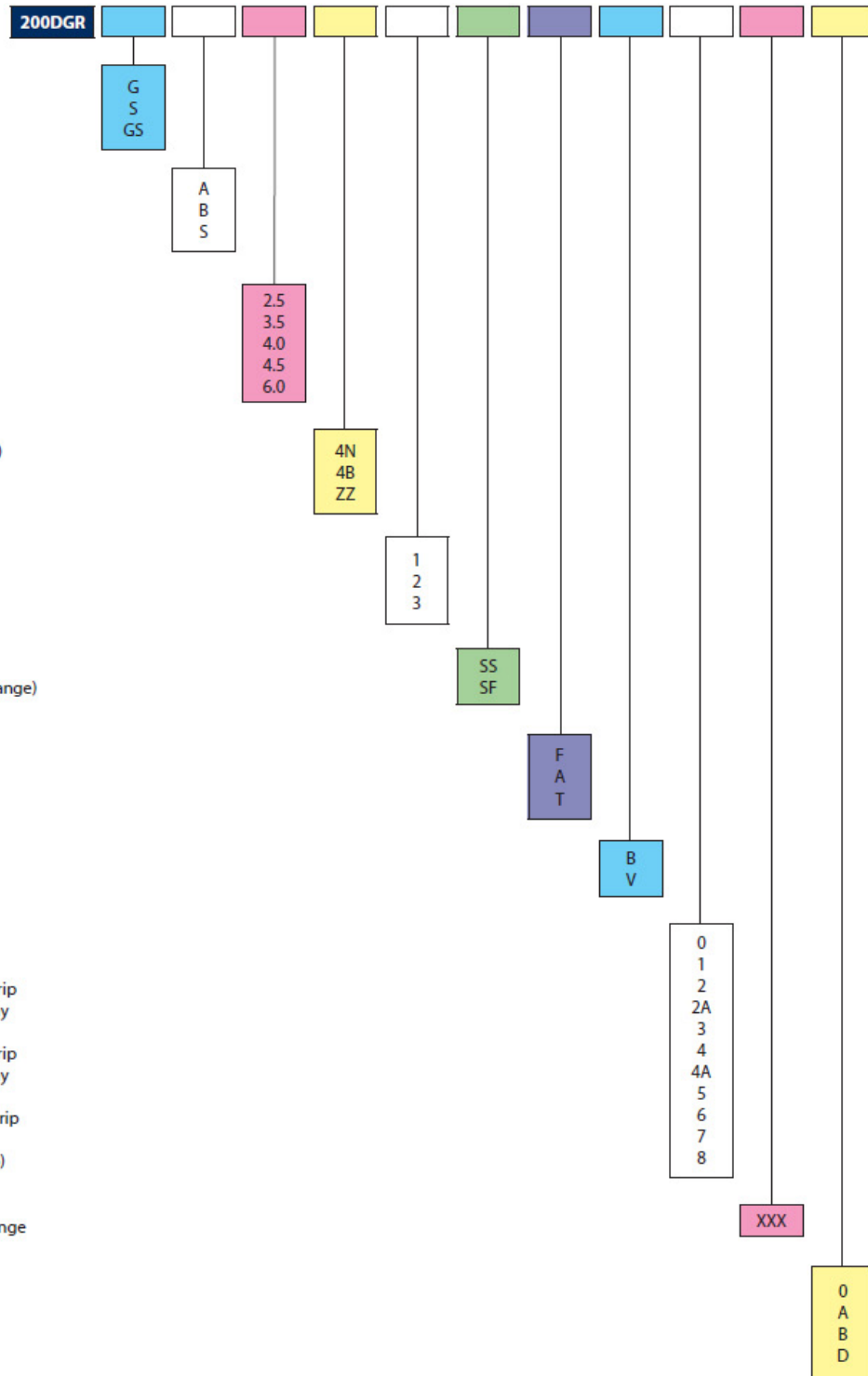
Window
Glass (Standard)
Acrylic
Toughened Glass

Seals
Buna-N
Viton®






Switch
None
1 x SPST with a DIN plug
1 x SPST with a terminal strip
1 x SPST with a built in relay
2 x SPST with a DIN plug
2 x SPST with a terminal strip
2 x SPST with a built in relay
1 x SPDT with a DIN plug
1 x SPDT with a terminal strip
2 x SPDT (2 x DIN plug)
2 x SPDT (2 x terminal strip)

Pressure Range
Enter standard pressure range

Option
None
Glycerine filled
Red Follow Pointer
Dual scale



200 DGR Rolling Diaphragm Differential Pressure Gauge

Model	Case Material	Mounting	Nominal Dial Sizes (mm)	Body Material / Wetted Parts	Connections*	Standard Ranges**	Maximum Static Pressure	Switch Option
 200DPG	Stainless Steel	Direct Surface Panel 2" pipe	50, 63, 80, 100, 115, 150	Aluminium 316 St Steel Brass	1/4" BSP or NPT female*	0 - 0.25 to 0 - 10 bar	200 bar	SPST or SPDT - one or two
 200DGR	Stainless Steel	Direct Surface Panel 2" pipe	50, 63, 80, 100, 115, 150	Aluminium 316 St Steel Brass	1/4" BSP or NPT female*	0 - 0.25 to 0 - 7 bar	200 bar	SPST or SPDT - one or two
 300DGC	Stainless Steel	Direct Surface Panel 2" pipe	50, 63, 80, 100, 115, 150	Aluminium 316 St Steel Brass	1/4" BSP or NPT female*	0 - 0.075 to 0 - 4 bar	100 bar	SPST or SPDT - one or two
 400DGC	Stainless Steel	Direct Surface Panel 2" pipe	50, 80, 100, 115, 150	Aluminium 316 St Steel	1/4" BSP or NPT female*	0 - 25 to 0 - 600 mmH2O	35 bar	SPST or SPDT - one or two
 600DGC	Stainless Steel	Direct Surface Panel 2" pipe	112	Engineering Polymer	1/8" NPT female*	0 - 15 to 1000 mmH2O	2.4 bar	SPST or SPDT - one or two

