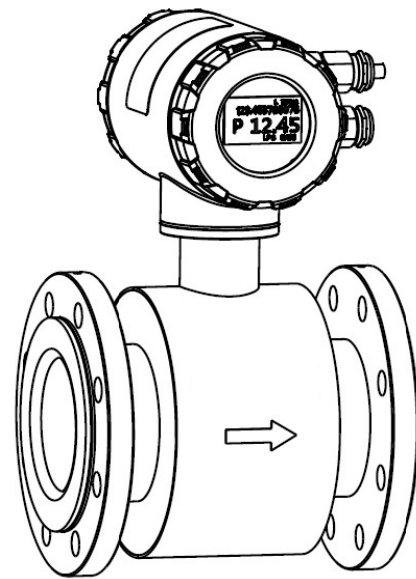


# Electromagnetic Flowmeter - IF600



## APPLICATION

- Robust design for water or general waste water industry
- Direct replacement of mechanical water meter
- Control interface friendly

## FEATURES

- High accuracy - thanks to our high SNR flow sensor and measurement circuitry
- Transmitter housing made of casted aluminum
- Supporting multiple communication protocols as HART, Modbus RS485
- Optimised for low flow measurement, rated accuracy holds to 0.1m/s flow speed

# Electromagnetic Flowmeter - IF600



## TECHNICAL SPECIFICATION

### Flow measurement

---

<b>Measured variable</b>	Volume flow rate by flow speed
<b>Measuring range</b>	0.005~10 m/s
<b>Measuring performance</b>	0.5% o.R. 0.2%/0.3% o.R. up on request for special calibration

### Output

---

<b>Output signal</b>	<b>Analog</b> Active 4~20mA output <b>Pulse output</b> Active <b>Frequency output</b> 0~5kHz, 50% duty cycle
<b>Communication</b>	Modbus RS-485 or HART (optional)

### Power supply

---

<b>Supply voltage</b>	85~265 VAC or 24VDC
<b>Power consumption</b>	10W

### Process

---

<b>Temperature</b>	0~60°C
<b>Pressure rating</b>	DN50~DN150 16bar (1.6Mpa or 230psi) DN200~DN450 10bar (1.0Mpa or
<b>Min. Conductivity</b>	10 µS/cm
<b>Connection</b>	ANSI B16.5 #150

### Materials

---

<b>Sensor material</b>	<b>Electrodes</b> 316 Stainless steel <b>Liner</b> CR <b>Flow tube</b> 304 Stainless steel <b>Sensor body</b> Carbon Steel
<b>Electronics Housing</b>	Casted aluminum, powder coated
<b>Sealing O-Rings</b>	EPDM

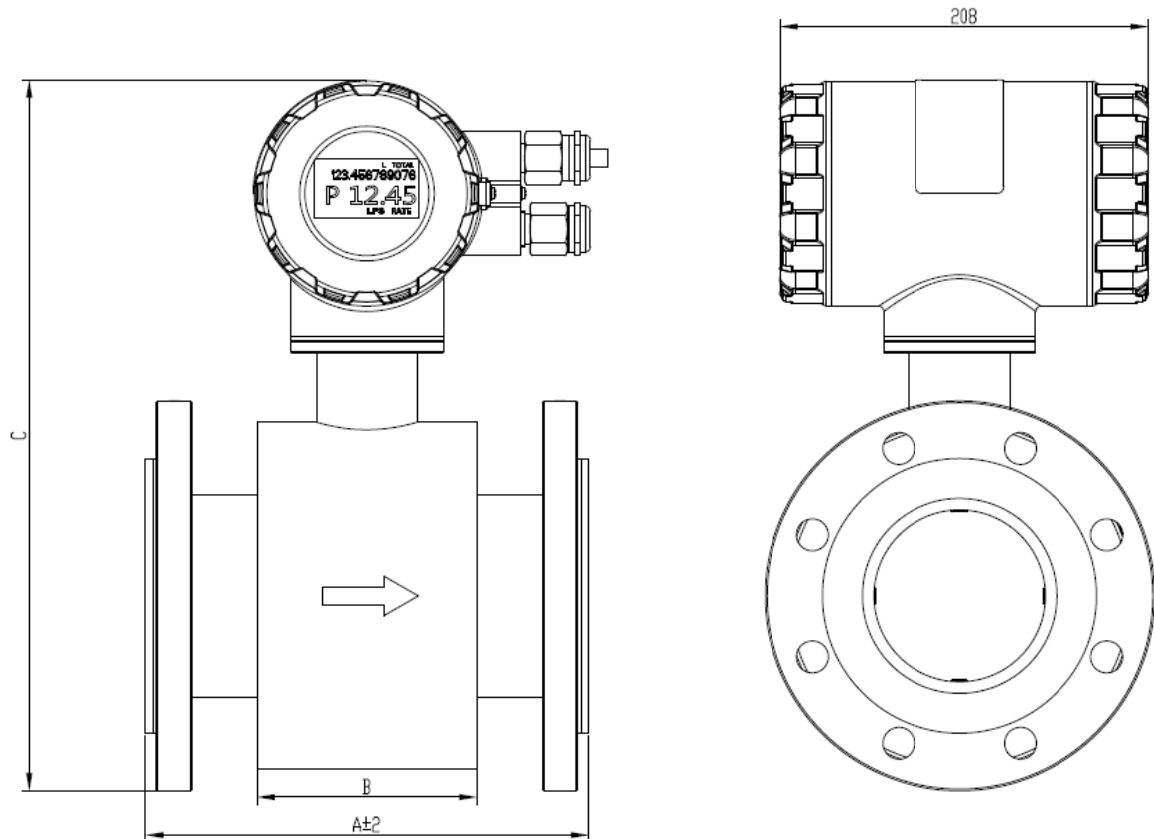
### Environment

---

<b>Ambient temperature</b>	<b>Operation temperature</b> -10~60°C <b>Storage temperature</b> -20~60°C
<b>CE Marking</b>	IEC61000-4-2, 6kV direct discharge, 8kV discharge IEC 61000-4-3, 80MHz~1000MHz 10V/m, 1000MHz ~ 2700MHz:3V/m IEC 61000-4-4 1kV on cable IEC 61000-4-5, 1kV on cable, 1,2/50s wave IEC 61000-4-6, 0.15~80MHz 3V IEC 61000-4-8, 10A/m
<b>Housing Protection Level</b>	IP67, IP68 (remote version)

# Electromagnetic Flowmeter - IF600

## INSTALLATION DIMENSION



DN	Inch	B(mm)	A±2(mm)	C(mm)
50	2	102	200	349
80	3			380
100	4	122	250	401
125	5	132	250	428
150	6	170	300	462
200	8	202	350	510
250	10	222	400	567
300	12	312	500	620
350	14	312	500	676
400	16	392	600	731
450	18	402	600	787

# Electromagnetic Flowmeter - IF600



**IF600 - AAA -BBB -CCCC -DDDD -EEEE**

## Model

IF600-

<b>AAA</b>	<b>Size</b>
002	DN50
003	DN80
004	DN100
006	DN150
008	DN200
010	DN250
012	DN300
014	DN350
016	DN400
018	DN450
xxx	Special size

<b>BBB</b>	<b>Liner and electrodes</b>
103	Rubber with 316L Stainless Steel electrodes

<b>CCCC</b>	<b>Process connection</b>
A1E5	ANSI 150# flange
A2E5	ANSI 300# flange
A3E5	ANSI 600# flange
D1E5	DIN PN16 flange
D2E5	DIN PN25 flange
D3E5	DIN PN40 flange
D4E5	DNPN63 flange
J1E5	JIS 10K flange
J2E5	JIS 20K flange
J3E5	JIS 40K flange

<b>DDDD</b>	<b>Transmitter type and communication</b>
0001	Compact transmitter with RS-485
0002	Compact transmitter with HART
0011	Remote transmitter with RS-485
0012	Remote transmitter with HART

<b>EEEE</b>	<b>Power supply</b>
0000	85~265V AC
0001	24V DC

INS-DS-0034. JAN 2018